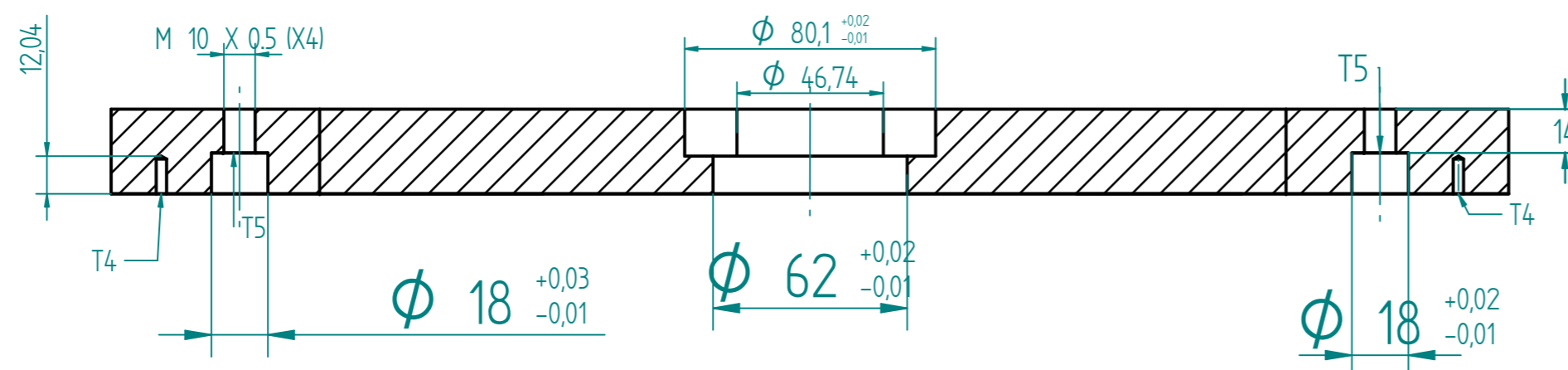


CORTE A-A



CORTE B-B

| DETALLES | |
|-------------|---------------|
| DESCRIPCION | REFERENCIA |
| T4 | M4 X0,5 (X4) |
| T5 | M10 X0,5 (X4) |

| | | FACULTAD DE INGENIERÍAS | | | | | | | | | | | | | | | | | | | | | | | | | | | | | | | | | | | | | | | | | | | | | | | | | | | | | | | | | | | | | | | | | | | | | | | | | | | | | | | | | |
|---|---------------------------|---|--------------------------|-----------------------------------|---------|----------|-------|------|-------|--|--|--|--|--------|----|----|---|----|----|----|----|----|---|----|---|-----|-------|---------|---------|----------|---|----|------|----|----|---|------|--------|--------|---------|-----|---|-----|---|------|-----|---|-------|------|-------|------|-----|---|----|--------|-------|--------|---|---------|---------|------|-----|------|----|--------|-------|--------|--------|---|---------|-------|------|-------|----|--------|-------|--------|--------|--------|---|-------|------|-------|
| | | PROGRAMA INGENIERÍA MECÁNICA | | | | | | | | | | | | | | | | | | | | | | | | | | | | | | | | | | | | | | | | | | | | | | | | | | | | | | | | | | | | | | | | | | | | | | | | | | | | | | | | | |
| NOMBRE ISABELA ROBLES HAMÓN | | ASIGNATURA TRABAJO DE GRADO | | | | | | | | | | | | | | | | | | | | | | | | | | | | | | | | | | | | | | | | | | | | | | | | | | | | | | | | | | | | | | | | | | | | | | | | | | | | | | | | | |
| NOMBRE JUAN DIEGO PARRA | | ELIMINAR ARISTAS VIVAS Y REBABAS NO MEDIR SOBRE EL DIBUJO | | | | | | | | | | | | | | | | | | | | | | | | | | | | | | | | | | | | | | | | | | | | | | | | | | | | | | | | | | | | | | | | | | | | | | | | | | | | | | | | | |
| MATERIAL AISI P20 | | TRATAMIENTO N/A | ACABADO SUPERFICIAL LISO | | | | | | | | | | | | | | | | | | | | | | | | | | | | | | | | | | | | | | | | | | | | | | | | | | | | | | | | | | | | | | | | | | | | | | | | | | | | | | | | |
| ESCALA: 1:2 | DIMENSIONES EN MILÍMETROS | DESCRIPCIÓN PLACA EXPULSORA SUPERIOR | CÓDIGO DE PLANO 15 | | | | | | | | | | | | | | | | | | | | | | | | | | | | | | | | | | | | | | | | | | | | | | | | | | | | | | | | | | | | | | | | | | | | | | | | | | | | | | | | |
| <table border="1"> <thead> <tr> <th colspan="10">TABLA DE CONVERSIONES DE UNIDADES</th> </tr> <tr> <th>UNIDAD</th> <th>mm</th> <th>cm</th> <th>m</th> <th>in</th> <th>ft</th> <th>yd</th> <th>mm</th> <th>cm</th> <th>m</th> </tr> </thead> <tbody> <tr> <td>mm</td> <td>1</td> <td>0.1</td> <td>0.001</td> <td>0.03937</td> <td>0.00328</td> <td>0.000914</td> <td>1</td> <td>10</td> <td>1000</td> </tr> <tr> <td>cm</td> <td>10</td> <td>1</td> <td>0.01</td> <td>0.3937</td> <td>0.0328</td> <td>0.00914</td> <td>0.1</td> <td>1</td> <td>100</td> </tr> <tr> <td>m</td> <td>1000</td> <td>100</td> <td>1</td> <td>39.37</td> <td>3.28</td> <td>0.914</td> <td>1000</td> <td>100</td> <td>1</td> </tr> <tr> <td>in</td> <td>0.0254</td> <td>0.254</td> <td>0.0254</td> <td>1</td> <td>0.08333</td> <td>0.02778</td> <td>25.4</td> <td>254</td> <td>25.4</td> </tr> <tr> <td>ft</td> <td>0.3048</td> <td>3.048</td> <td>0.3048</td> <td>0.3048</td> <td>1</td> <td>0.33333</td> <td>304.8</td> <td>3048</td> <td>304.8</td> </tr> <tr> <td>yd</td> <td>0.9144</td> <td>9.144</td> <td>0.9144</td> <td>0.9144</td> <td>0.9144</td> <td>1</td> <td>914.4</td> <td>9144</td> <td>914.4</td> </tr> </tbody> </table> | | | | TABLA DE CONVERSIONES DE UNIDADES | | | | | | | | | | UNIDAD | mm | cm | m | in | ft | yd | mm | cm | m | mm | 1 | 0.1 | 0.001 | 0.03937 | 0.00328 | 0.000914 | 1 | 10 | 1000 | cm | 10 | 1 | 0.01 | 0.3937 | 0.0328 | 0.00914 | 0.1 | 1 | 100 | m | 1000 | 100 | 1 | 39.37 | 3.28 | 0.914 | 1000 | 100 | 1 | in | 0.0254 | 0.254 | 0.0254 | 1 | 0.08333 | 0.02778 | 25.4 | 254 | 25.4 | ft | 0.3048 | 3.048 | 0.3048 | 0.3048 | 1 | 0.33333 | 304.8 | 3048 | 304.8 | yd | 0.9144 | 9.144 | 0.9144 | 0.9144 | 0.9144 | 1 | 914.4 | 9144 | 914.4 |
| TABLA DE CONVERSIONES DE UNIDADES | | | | | | | | | | | | | | | | | | | | | | | | | | | | | | | | | | | | | | | | | | | | | | | | | | | | | | | | | | | | | | | | | | | | | | | | | | | | | | | | | | | |
| UNIDAD | mm | cm | m | in | ft | yd | mm | cm | m | | | | | | | | | | | | | | | | | | | | | | | | | | | | | | | | | | | | | | | | | | | | | | | | | | | | | | | | | | | | | | | | | | | | | | | | | | |
| mm | 1 | 0.1 | 0.001 | 0.03937 | 0.00328 | 0.000914 | 1 | 10 | 1000 | | | | | | | | | | | | | | | | | | | | | | | | | | | | | | | | | | | | | | | | | | | | | | | | | | | | | | | | | | | | | | | | | | | | | | | | | | |
| cm | 10 | 1 | 0.01 | 0.3937 | 0.0328 | 0.00914 | 0.1 | 1 | 100 | | | | | | | | | | | | | | | | | | | | | | | | | | | | | | | | | | | | | | | | | | | | | | | | | | | | | | | | | | | | | | | | | | | | | | | | | | |
| m | 1000 | 100 | 1 | 39.37 | 3.28 | 0.914 | 1000 | 100 | 1 | | | | | | | | | | | | | | | | | | | | | | | | | | | | | | | | | | | | | | | | | | | | | | | | | | | | | | | | | | | | | | | | | | | | | | | | | | |
| in | 0.0254 | 0.254 | 0.0254 | 1 | 0.08333 | 0.02778 | 25.4 | 254 | 25.4 | | | | | | | | | | | | | | | | | | | | | | | | | | | | | | | | | | | | | | | | | | | | | | | | | | | | | | | | | | | | | | | | | | | | | | | | | | |
| ft | 0.3048 | 3.048 | 0.3048 | 0.3048 | 1 | 0.33333 | 304.8 | 3048 | 304.8 | | | | | | | | | | | | | | | | | | | | | | | | | | | | | | | | | | | | | | | | | | | | | | | | | | | | | | | | | | | | | | | | | | | | | | | | | | |
| yd | 0.9144 | 9.144 | 0.9144 | 0.9144 | 0.9144 | 1 | 914.4 | 9144 | 914.4 | | | | | | | | | | | | | | | | | | | | | | | | | | | | | | | | | | | | | | | | | | | | | | | | | | | | | | | | | | | | | | | | | | | | | | | | | | |